

零件圖
PARTS LIST

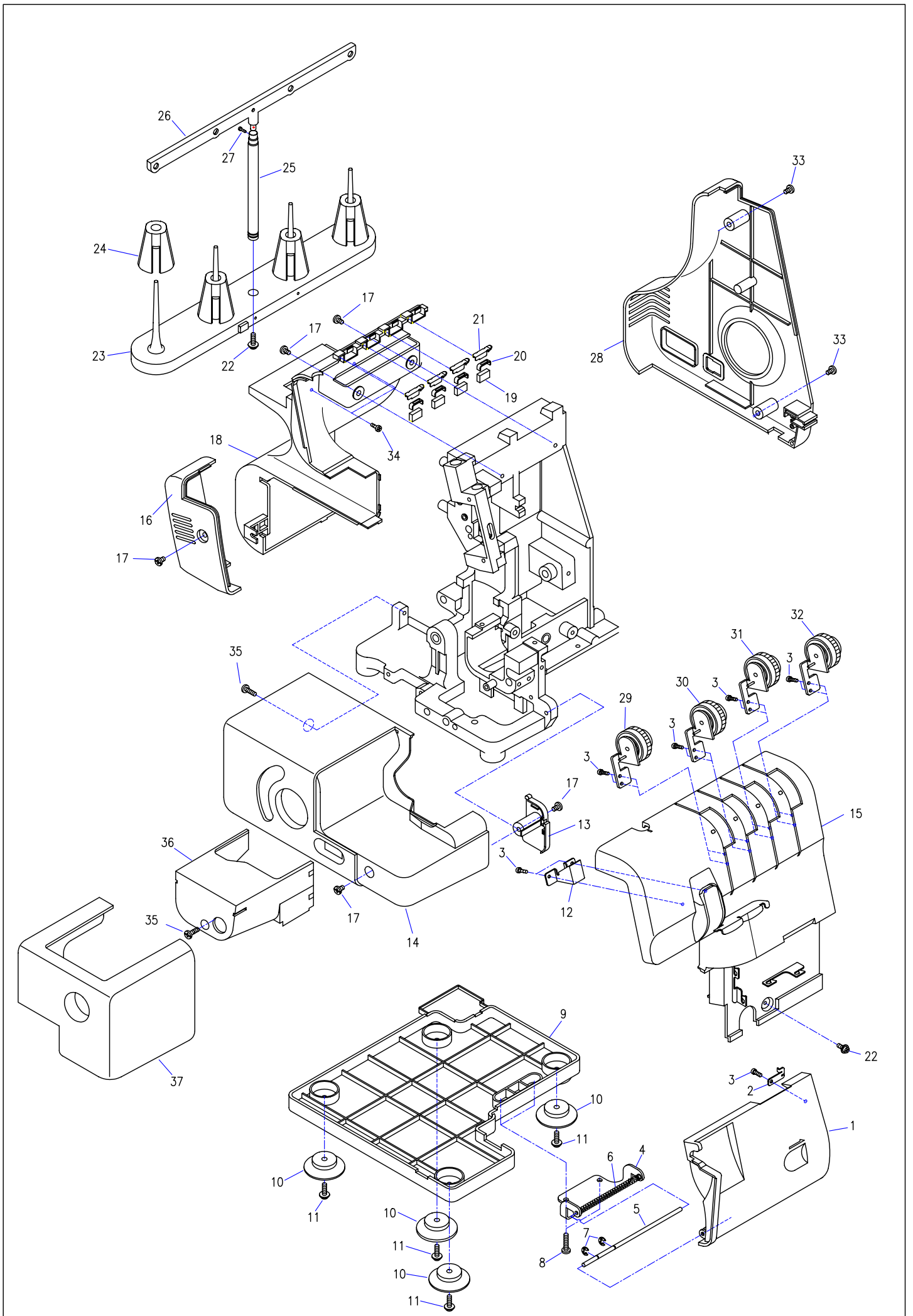


CONTENTS

1. PRINCIPAL PARTS.....	2
2. NEEDLE BAR, FEED BAR AND PRESSER HOLDER.....	4
3. KNIFE AND LOOPER.....	6
4. LAMP, MOTOR AND ACCESSORY.....	8

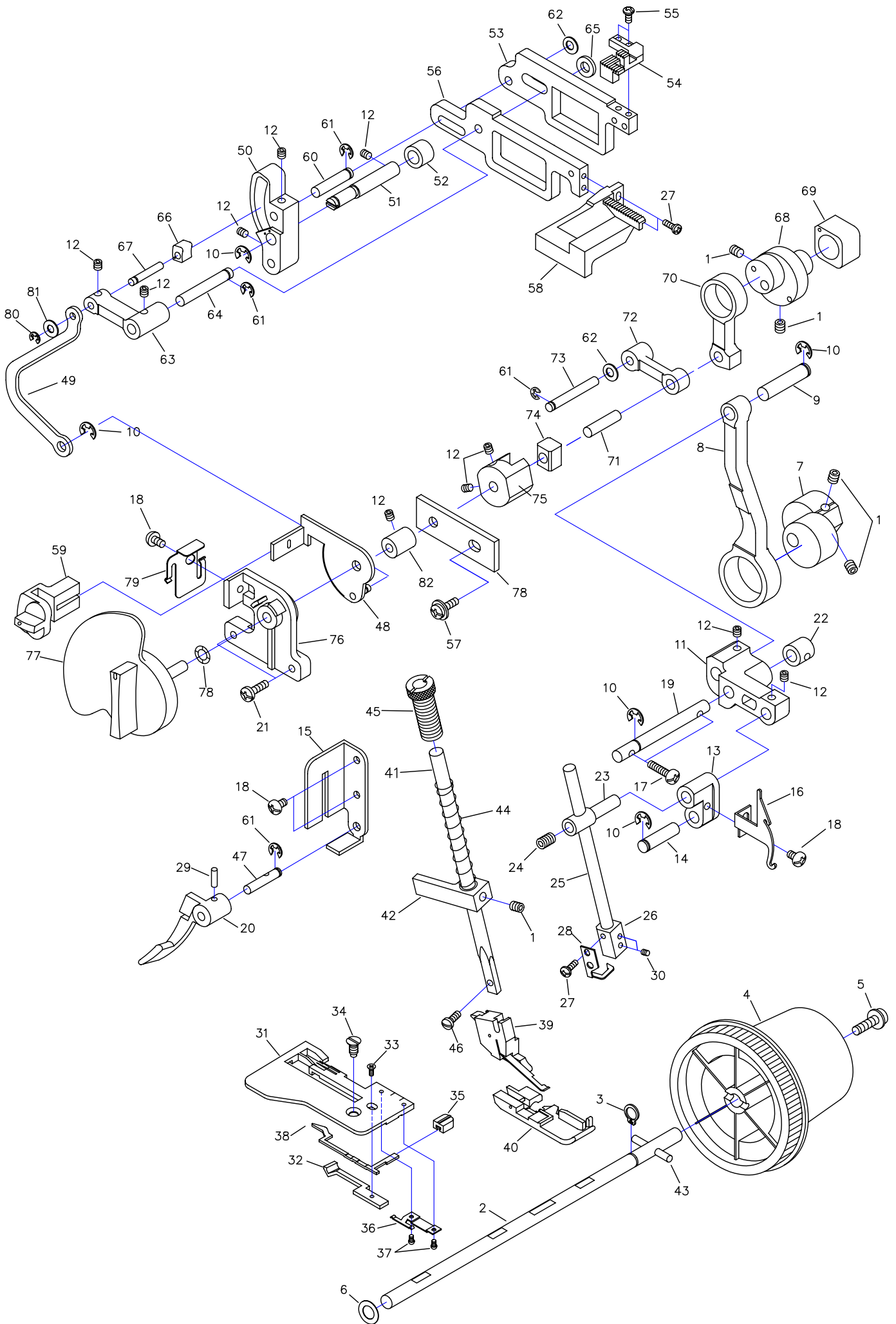
(1) PRINCIPAL PARTS

No.	PARTS No.	PARTS NAME	No.	PARTS No.	PARTS NAME
1	TD311	Front cover HS0-747			
2	TF117	Front cover hook			
3	TG116	Screw M3P1.06*8			
4	TF118	Front cover hinge plate			
5	TC124	Front cover guide shaft			
6	TJ103	Front cover spring			
7	TH101	Stop ring			
8	TG136	Set screw M4*20			
9	TD131	Oil pan			
10	TD132	Cushion A			
11	TG113	Set screw M4*12			
12	TF188	Needle thread take-up guide			
13	TD120B	Cloth plate side cover			
14	TD119-1	Cloth plate cover			
15	TD310	Panel assembly 750D			
16	TD199	Lamp cover 750D			
17	TG108	Set screw M4*6			
18	TD198	Rear cover assembly 750D			
19	TP107	Thread rectifier cushion			
20	TJ128	Thread rectifier D1			
21	TF108	Thread rectifier			
22	TG112	Set screw M4*8			
23	TD112	Spool stand base			
24	TD113	Spool cushion			
25	TC125	Spool stand shaft			
26	TD114	Thread guide 4			
27	TG115	Set screw M2*6			
28	TD197	Belt cover 750D			
29	TDA103-1A	Left needle thread tension dial			
30	TDA103-2A	Right needle thread tension dial			
31	TDA103-3A	Over looper thread tension dial			
32	TDA103-4A	Undr looper thread tension dial)			
33	TG109	Set screw M4*8			
34	TG117	Screw M3P1.06*10			
35	TG111	Set screw M4*18\			
36	TD121-1	Arm cover			
37	TD122-1	Sub table assembly			



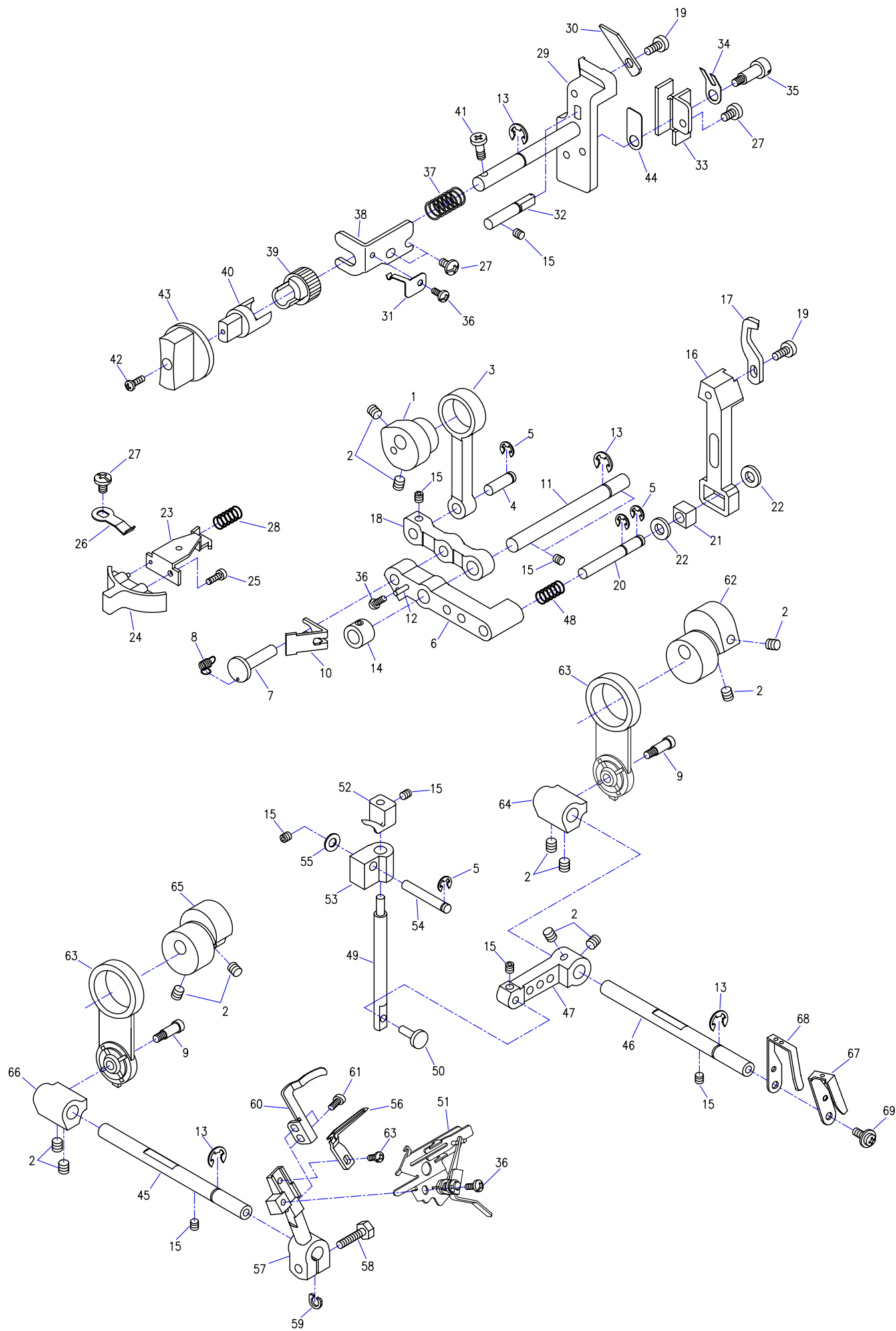
(2) NEEDLE BAR, FEED BAR AND PRESSER HOLDER

No.	PARTS No.	PARTS NAME	No.	PARTS No.	PARTS NAME
1	TG119	Set screw M5*5	51	TC113	Feed bar lever shaft
2	TC101	Driving shaft assembly	52	TC127	Collar
3	TH105	Stop ring	53	TE123	Main feed bar
4	TD108-2	Timing pulley	54	TB104	Main feed dog
5	TG114	Set screw M5*14	55	TG104	Set screw M3*5
6	TI112	Washer	56	TE124	Differential feed bar
7	TE110	Needle bar eccentric wheel	57	TG112	Set screw M4*8
8	TE109	Needle bar rod	58	TB122	Differential feed dog
9	TC110	Rod shaft	59	TD125	Differential control lever
10	TH103	Stop ring	60	TC115	Differential link shaft
11	TE108	Needle bar driving lever	61	TH102	Stop ring
12	TG118	Set screw M4*4	62	TI104	Washer
13	TE107	Needle bar connecting link	63	TE129	Differential adjusting link
14	TC111	Needle bar rod shaft B	64	TC114	Horizontal lever shaft
15	TF119	Presser bar guide plate	65	TI106	Washer
16	TF104	Thread take-up	66	TE128	Differential feed adjusting block
17	TG133	Set screw M4*15	67	TC118	Differential adjusting link shaft
18	TG108	Set screw M4*6	68	TE125	Feed eccentric wheel
19	TC109	Needle bar shaft	69	TE126	Vertical feed block
20	TD205	Presser lifter lever	70	TE131	Feed link
21	TG110	Set screw M4*12	71	TC143	Feed link shaft
22	TE150	Collar	72	TE144	Feed bar link
23	TC108	Needle bar connecting stud	73	TC115	Differential link shaft
24	TG120	Set screw M6*6	74	TE133	Feed adjusting block
25	TC107	Needle bar	75	TE132	Feed adjusting lever
26	TE141	Needle clamp	76	TA102	Feed base
27	TG106	Set screw M3*8	77	TD124	Feed dial
28	TF142	Needle bar thread guide	78	TF198	Set plate
29	TG131	Spring pin 2.5*10	79	TF137	Dial plate spring
30	TG124	Set screw M3*3	80	TH101	Stop ring
31	TB103	Needle plate	81	TI103	Washer
32	TF132	Fixed needle guide	82	TE148	Collar
33	TG102	Set screw M2*3			
34	TG122	Set screw SM4.37			
35	TF133-1	Stitch finger lever			
36	TF134	Stitch presser plate			
37	TG101	Set screw M2*3			
38	TF133	Stitch tongue			
39	TB101	Presser holder assembly			
40	TB102	Presser foot assembly			
41	TC112	Presser bar			
42	TE111	Presser bar guide bracket			
43	TG129	Spring pin 4*25			
44	TJ111	Presser bar spring			
45	TC134	Presser adjusting screw			
46	TG121	Set screw SM3.57*8			
47	TC145	Presser lifter shaft N			
48	TF136	Differential adjusting lever assembly			
49	TF138	Differential adjusting link			
50	TE127	Feed bar lever			



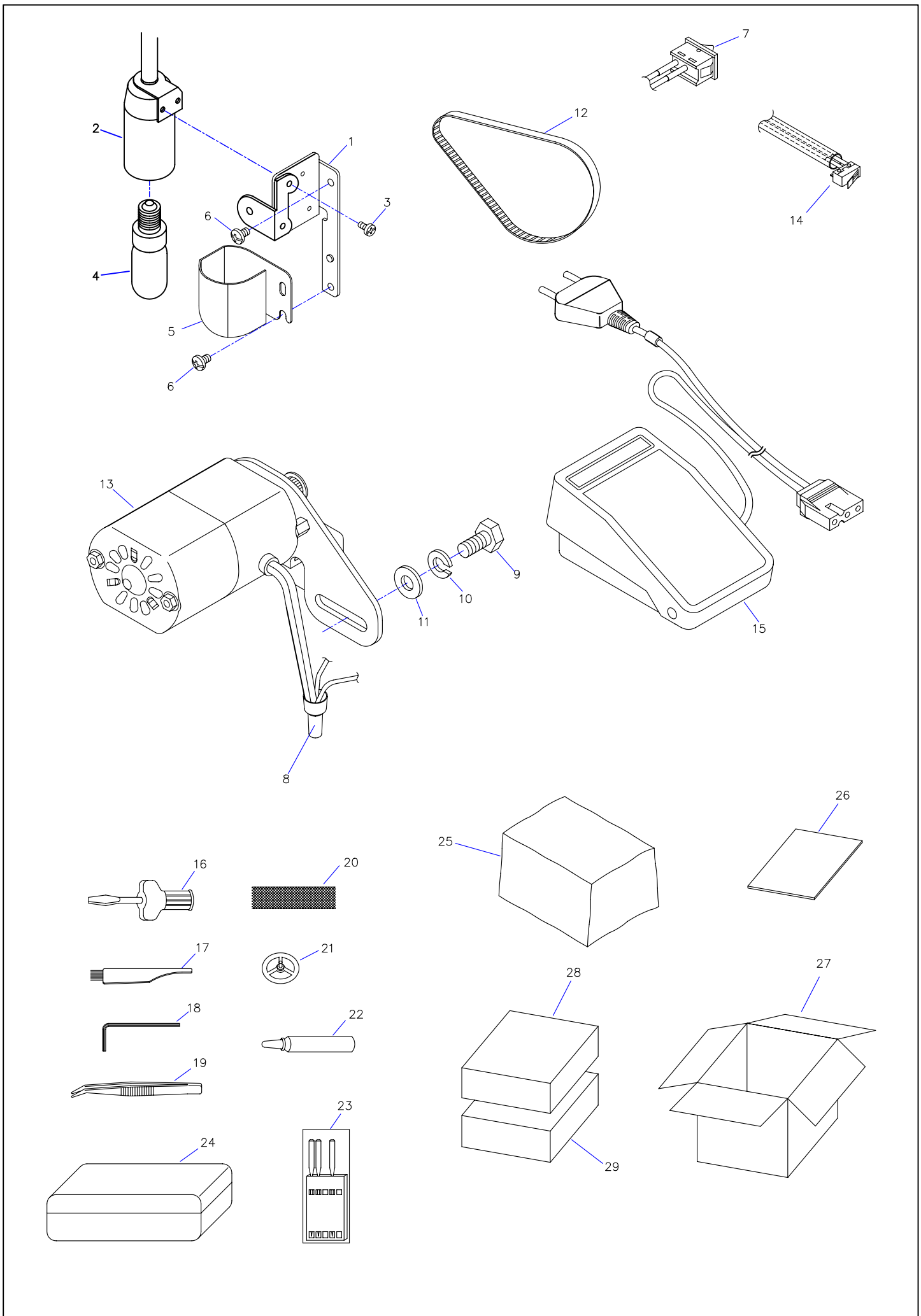
(3) KNIFE AND LOOPER

No.	PARTS No.	PARTS NAME	No.	PARTS No.	PARTS NAME
1	TE134	Upper knife eccentric wheel	51	TF162	Underlooper thread guide assembly
2	TG119	Set screw M5*5	52	TK101	Overlooper
3	TE135	Upper knife link A	53	TE119	Overlooper shaft guide
4	TC121	Upper knife link shaft	54	TC105	Overlooper shaft guide shaft
5	TH102	Stop ring	55	TI105	Washer
6	TE137	Upper knife arm assembly	56	TK102	Underlooper
7	TC120	Connect pin	57	TL101	Underlooper lever
8	TJ106	Connect pin spring	58	TG123	Set screw M5*16
9	TC131	Looper rod stud shaft	59	TI114	Washer
10	TF131	Cancel plate	60	TF141	Movable needle guard
11	TC119	Upper knife fulcrum shaft	61	TG104	Set screw M3*6
12	TG128	Spring pin 2.5*14	62	TE116	Overlooper rod eccentric wheel
13	TH104	Stop ring	63	TEA112	Looper rod assembly
14	TC127	Collar	64	TE117	Overlooper driving lever
15	TG118	Set screw M4*4	65	TE122	Underlooper rod eccentric wheel
16	TE138	Upper knife holder	66	TE121	Underlooper driving lever
17	TF123	Upper blade	67	TF140	Looper thread take-up B
18	TE136	Upper knife arm assembly B	68	TF139	Looper thread take-up A
19	TG109	Set screw	69	TG112	Set screw M4*8
20	TC122	Upper knife arm shaft			
21	TE139	Upper blade block			
22	TI106	Washer			
23	TF129	Lever plate assembly			
24	TD126	Blade lever			
25	TG116	Screw M3P1.06*8			
26	TF130	Lever plate spring			
27	TG108	Set screw M4*6			
28	TJ110	Lever spring			
29	TB107	Lower blade holder			
30	TF122	Lower blade			
31	TF128	Plate spring			
32	TC123	Lower blade guide shaft			
33	TF124	Upper knife holder guide			
34	TF126	Upper blade holder plate spring			
35	TC129	Upper knife holder guide shaft			
36	TG105	Set screw M3*6			
37	TJ105	Lower blade spring			
38	TF127	Dial plate			
39	TD129	Blade control dial plate			
40	TD128	Blade control dial assembly			
41	TG130	Blade control shaft			
42	TG117	Screw M3P1.06*10			
43	TD127	Stitch width lever			
44	TF125	Upper knife presser plate			
45	TC106	UL lever shaft			
46	TC102	OL lever shaft			
47	TE118	Overlooper shaft lever			
48	TJ104	Upper knife holder spring			
49	TC104	Overlooper shaft			
50	TC103	Overlooper lower shaft			



(4) LAMP, MOTOR AND ACCESSORY

No.	PARTS No.	PARTS NAME	No.	PARTS No.	PARTS NAME
1	TF120	Lamp plate			
2	TP104	Lampholder assembly 230V			
3	TG105	Set screw M3*6			
4	TP106	Lamp 230V 15W			
5	TF121	Lamp cover plate			
6	TG108	Set screw M4*6			
7	TP102	Switch assembly 230V			
8	TP114	Connector			
9	TG125	Set screw M8*15			
10	TI111	Spring washer			
11	TI108	Washer			
12	TP108	Timing belt			
13	TP138	Motor 220V (YM-260-12)			
14	TP116	Safty limited switch assembly			
15	YC-483-5	Foot controller			
16	TM113	Screw driver			
17	TM114	Cleaning brush			
18	TM108	Hexagonal (allen) wrench			
19	TM110	Tweezers			
20	TM111	Net			
21	TD116	Thread spool cap			
22	TM112	Machine Oil			
23	TK104	Needle set (#80x2 #90x2)			
24	TM109	Accessary box			
25	TM118	Cover			
26	TM386	Instruction book			
27	TM387	Carton			
28	TN103	SF assembly U			
29	TN104	SF assembly D			





HSO-747

高林股份有限公司 KAULIN MFG. CO., LTD.

The specification and/or appearances of the equipment described in this instruction book are subject to change because of modification without previous notice.